

√
本册

SP-T240-xxxBHL-1

A4 零 部 件 图 纸

发 放
编 号

SP

AGENCY APPROVALS
* UL5085-1,UL5085-3, FILE NO.: E331579
* UL1446, FILE NO.: E304641

Model	Primary		Secondary	
	See Note 1 for Lead Color information		Blue-Yellow	
	Frequency, Hz	Volt, V ac	Volt, V ac	Power, VA
T240-021Bydzzz	50/60	120	24	20
T240-071Bydzzz	50/60	240	24	20
T240-241Bydzzz	50/60	120/240	24	20
T240-271Bydzzz	50/60	208/240	24	20
T240-131Bydzzz	50/60	460	24	20
T240-151Bydzzz	50/60	575	24	20
T240-2K1Bydzzz	50/60	460/575	24	20

NOMENCLATURE:

I. y = (H, G), bracket type
H denote for bracket
G denote for without bracket

II. d = (L1, L2) input/ output connection type
L1 denote for lead wire with wire connector
L2 denote for lead wire without wire connector

III. zzz = (000-999), denote for Customer ID Suffix

NOTE:

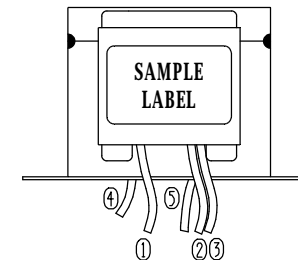
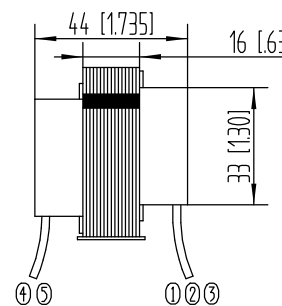
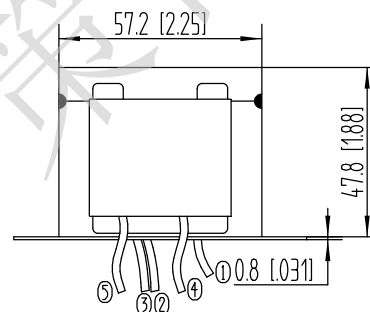
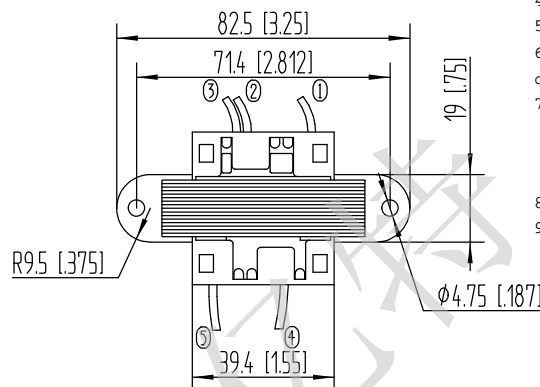
1. Lead color:

Primary Voltage	COM.	120V	208V	240V	460V	575V
Lead color	WHITE	BLACK	RED	ORANGE	VIOLET	GRAY
Secondary Voltage	COM.	24V				
Lead color	BLUE	YELLOW				

2. Wire gauge: UL1015, 18AWG.

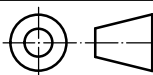
3. Terminal: Strip and tinned 10-12.7mm, May use spade, ring or quick connectors

4. Maybe remove the bracket according to customer requirements (Type G Panel Mount).



NOMINAL SPECIFICATIONS:

- Power: 20VA
- Input voltage: SEE TABLE
- Output:
 - No-load secondary voltage: 27.5VAC+/-5%
 - Load voltage @ Current (VAC @ A): 24.0VAC +/-5% @ 0.833A
 - Lead color: SEE NOTE
- Insulation class: B (130)
- Winding Protection: Inherently limiting.
- Temperature Protection: 130°C thermal link with secondary circuit.
- Dielectric Voltage-Withstand Test:
 - 2200V between the primary circuit and core
 - 2500V between the primary and secondary circuit
 - 500 V between secondary circuit and core
- Excitation power: 4.5W MAX.
- Dimensions for reference only. (UNIT: mm [inch])



第三角投影法
THIRD ANGLE PROJECTION



宁波中策亿特电子有限公司
NINGBO ZHONGCE E.T. ELECTRONICS CO LTD

宁波市望春工业园区聚才路189号
189 Jucai Rd, Wangchun Industrial Park
NINGBO CHINA

本图包含的设计及其他信息的所有权归宁波中策亿特电子有限公司。图纸或信息的全部或部分的复制、分发、使用或者公开，必须由宁波中策亿特电子有限公司的书面许可。

UNLESS OTHERWISE INDICATED, ALL DIMENSIONS ARE IN MILLIMETER. 除非另有陈述，所有尺寸均以毫米(mm)为单位。

TOLERANCES(公差):

- X = ± 0.3
- XX = ± 0.1
- XXX = ± 0.05
- X° = ± 0.5°

产品规格书 SPECS

规格书编号	SP-T240-xxxBHL-1	版本	A
产品图号	/		
品号	/		
品名	/		
规格型号			
比例	NTS	重量	页码 1 OF 1

设计	瞿文军 2012-12-15	标准化	
制图	瞿文军 2012-12-15		
审核	黄力 2012-12-15		
工艺		批准	

借 (通) 用
件 登 记

回底图总号

底图总号

签 字

日 期

档案员	日期	A	初始版本发行.	2012-12-15	瞿文军
	版本号		变更描述	设计(变更)日期	设计(变更)