

UL1310 CLASS 2 POWER UNITS

AD009x, AD012x系列

POWER SUPPLY, CLASS 2 DIRECT-PLUG-IN, 9VA,12VA



特性 General Specification:

- ◆ 功率 Power—9VA, 12VA
- ◆ 绝缘强度 Dielectric Strength — 2500VRMS Hi-pot
- ◆ 输入电压 Input Voltage — 120Vac, 60Hz
- ◆ 输出电压 Output Voltage — 9V or 12V
- ◆ 输出效率 Output Efficiency — Meet DOE V or VI rated at 115Vac input.
- ◆ 绝缘等级 Insulation Class — Class B (130°C)
- ◆ 输出端 Output terminal — #6-32 screw terminals or DC CORD

符合标准 Agency Standards

- ◆ UL, compliant to UL 1310, File # E310452
- ◆ CUL, compliant to CAN/CSA C22.2 No. 223.

机械结构 Mechanical

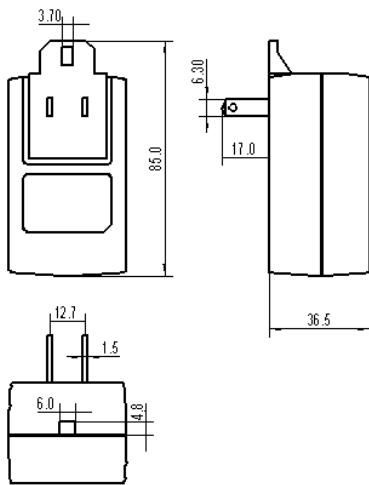


Figure 1

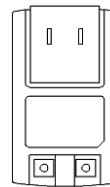


Figure 2

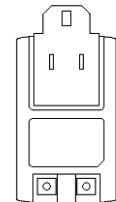
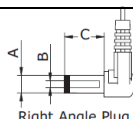
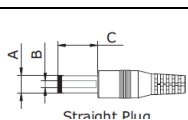


Figure 3



Figure 4



Can be customized according to customer 可以根据客户要求定做

Electrical Performance Parameter Table/电性能参数表

型号 Model	输入电压 Input voltage	额定输出电压 Output voltage	输入端 Input terminal	输出端 Output terminal	外形图 Outline drawing	认证 Certificate
ETS-AD0091-W090100	102-132V 57-63Hz	9Vdc+7%/-0% @ 1.0A	2 Pin	#6-32 screw	Figure 1	申请中
ETS-AD0092-W090100			2 Pin	#6-32 screw	Figure 2	UL
ETS-AD0095-W090100		9Vdc+7%/-3% @ 1.0A	2 Pin	DC CORD	Figure 3	申请中
ETS-AD0096-W090100			2 Pin	DC CORD	Figure 4	UL
ETS-AD0121-W120100	102-132V 57-63Hz	12Vdc±5% @ 1.0A	2 Pin	#6-32 screw	Figure 1	申请中
ETS-AD0122-W120100			2 Pin	#6-32 screw	Figure 2	UL
ETS-AD0125-W120100			2 Pin	DC CORD	Figure 3	申请中
ETS-AD0126-W120100			2 Pin	DC CORD	Figure 4	UL