

TRANSFORMER, CLASS 2 DIRECT-PLUG-IN, 40VA



特性 General Specification:

- ◆ 功率 Power—25VA
- ◆ 绝缘强度 Dielectric Strength — 2500VRMS Hi-pot
- ◆ 输入电压 Input Voltage — 120Vac, 60Hz
- ◆ 输出电压 Output Voltage — 16.5V
- ◆ 输出效率 Output Efficiency — Meet DOE V or VI rated at 115Vac input.
- ◆ 绝缘等级 Insulation Class — Class B (130°C)
- ◆ 输出端 Output terminal — #6-32 screw terminals

符合标准 Agency Standards

- ◆ UL, compliant to UL 1310, File # E310452
- ◆ CUL, compliant to CAN/CSA C22.2 No. 223.

机械结构 Mechanical

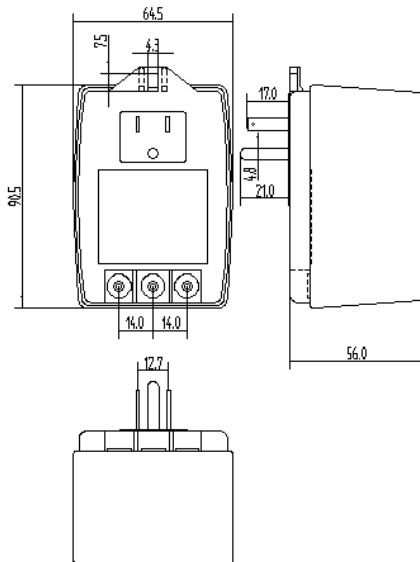


Figure 1

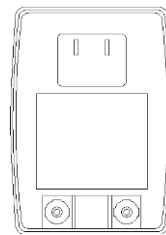


Figure 2

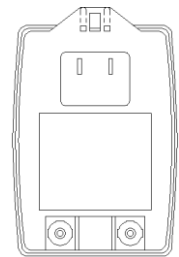


Figure 3

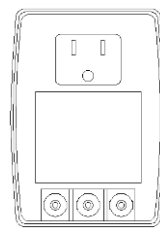
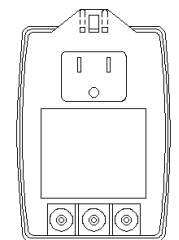


Figure 4



Electrical Performance Parameter Table/电性能参数表

型号 Model	输入电压 Input voltage	额定空载电压 No-load voltage	额定负载电压 Load voltage	输入端 Input terminal	接地 Ground	外形图 Outline drawing	认证 Certificate
ETL-AA0401-W165152	120V 60Hz	18.7Vac Max	16.5±0.5Vac @ 2.40A	2 Pin	No	Figure 1	cULus
ETL-AA0402-W165152				2 Pin	No	Figure 2	UL
ETL-AA0403-W165152				3 Pin	Yes	Figure 3	cULus
ETL-AA0404-W165152				3 Pin	Yes	Figure 4	UL